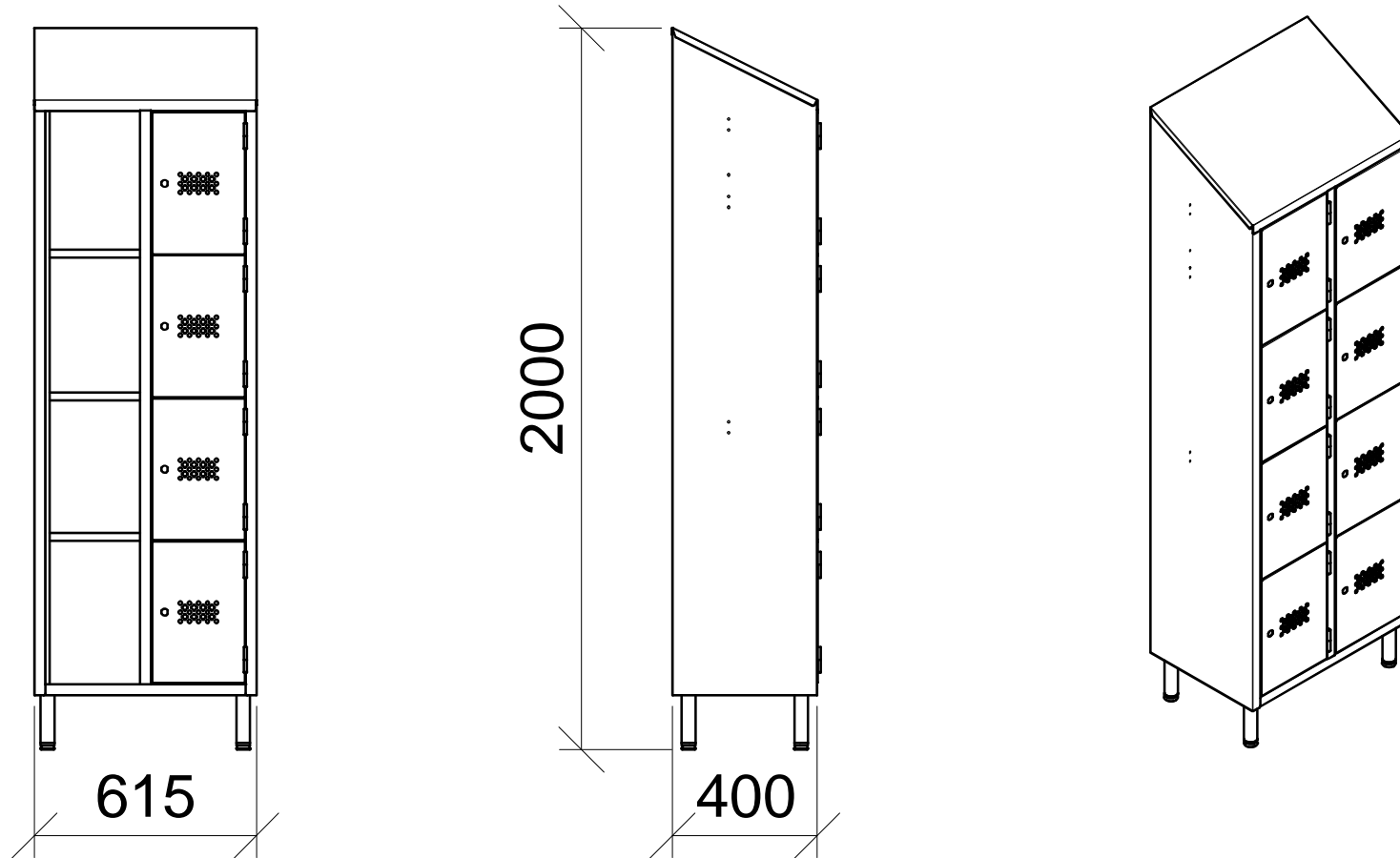


# 4 tier changing locker with 8 doors

Dimensions in mm



## CHARACTERISTICS: 21 gauge

- 0,8 mm thick stainless steel;
- 2J finish (Scotch-Brite®);
- dustproof slanting top;
- Padlock knob or cylindrical key lock;
- Internal clothes hook per compartment;
- Adjustable screw on feet.

Code: X1E2-8

**FACILITAS**

Via Lazio 7 A/B/C - 41050 Montale Rangone (MO)  
Web: [www.facilitas.it](http://www.facilitas.it) @: [facilitas@facilitas.it](mailto:facilitas@facilitas.it)  
Tel:+39 (0)59-530570 Fax:+39 (0)59-4909000