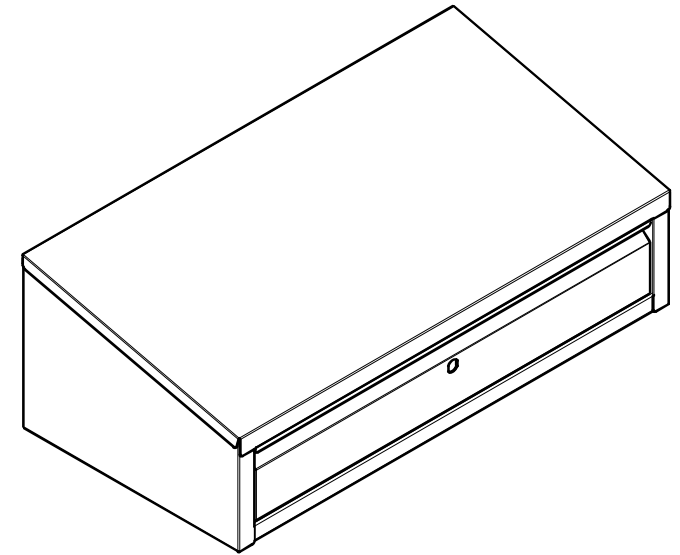
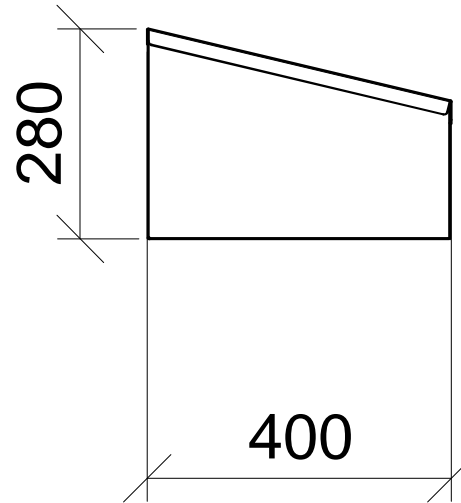
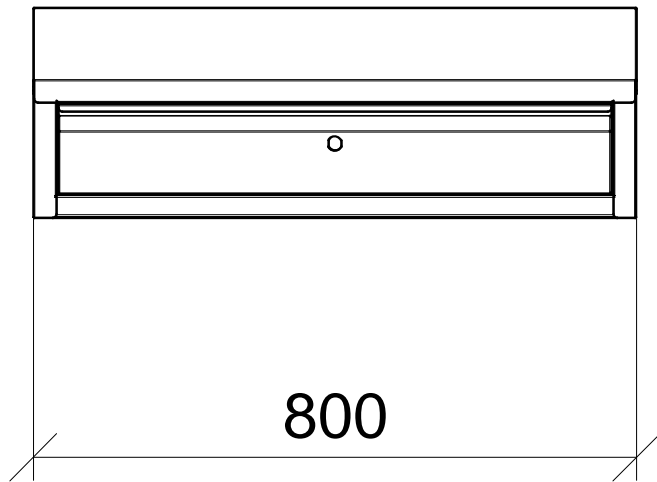


Wall mounted shop desk with drawer

Dimensions in mm



CHARACTERISTICS: 21 gauge

- 0,8 mm thick stainless steel.
- 2J finish (Scotch-Brite®).
- Inclined writing top with pen stop.
- 1 drawer with cylindrical key lock.
- Ready for wall mouting

Code: X4106

FACILITAS

Via Lazio 7 A/B/C - 41050 Montale Rangone (MO)
Web: www.facilitas.it @: facilitas@facilitas.it
Tel: +39 (0)59-530570 Fax: +39 (0)59-4909000