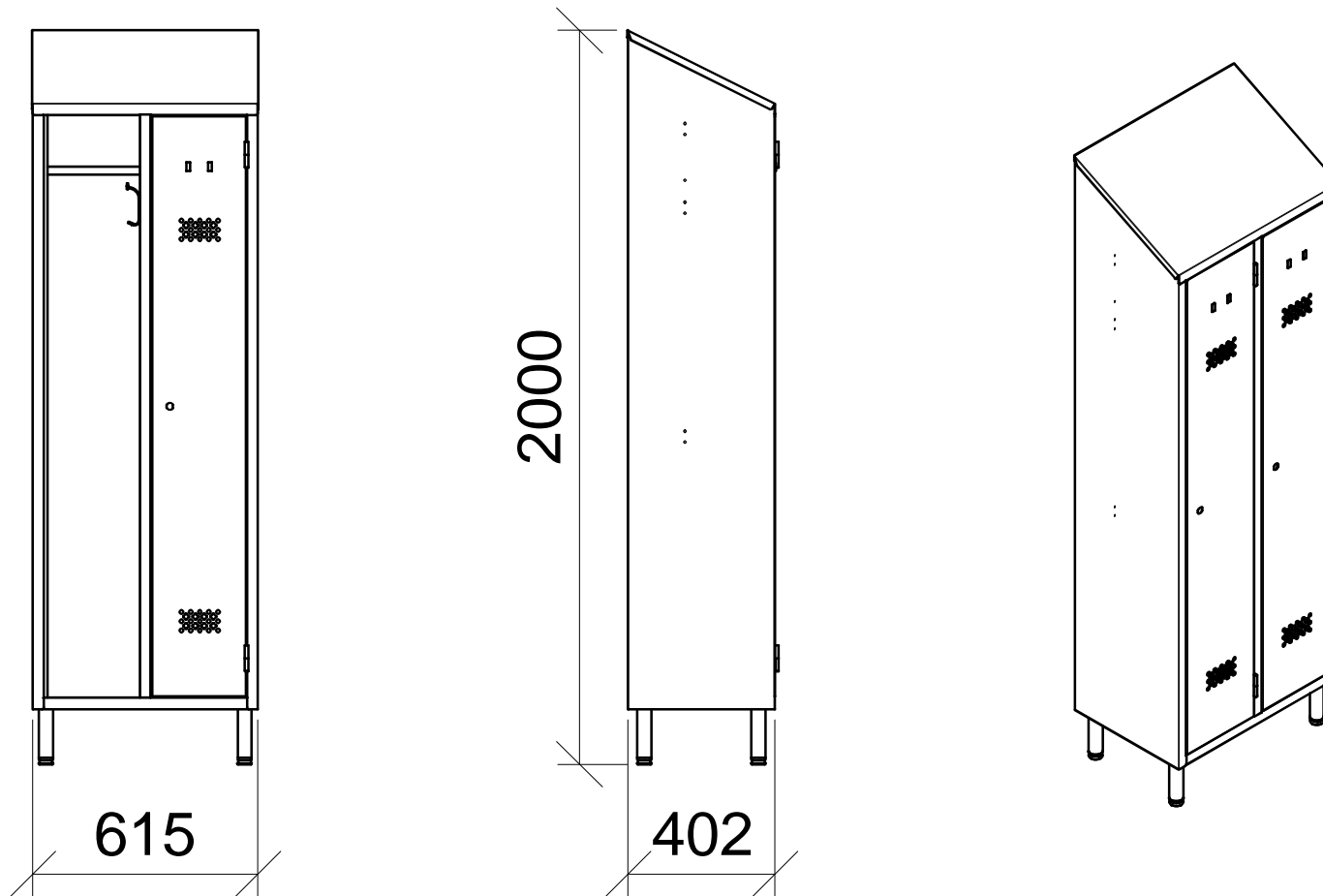


Changing locker 2 doors

Dimensions in mm



CHARACTERISTICS: 21 gauge

- 0,8 mm thick stainless steel;
- 2J finish (Scotch-Brite®);
- dustproof slanting top;
- Padlock knob or cylindrical key lock;
- Internal top shelf;
- Adjustable screw on feet.

Code: X1E2

FACILITAS

Via Lazio 7 A/B/C - 41050 Montale Rangone (MO)
Web: www.facilitas.it @: facilitas@facilitas.it
Tel:+39 (0)59-530570 Fax:+39 (0)59-4909000